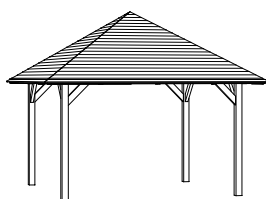
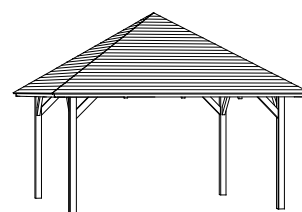


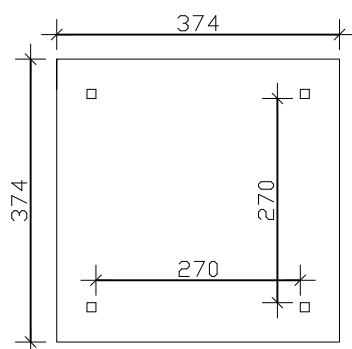
37175 4 (Size 1)



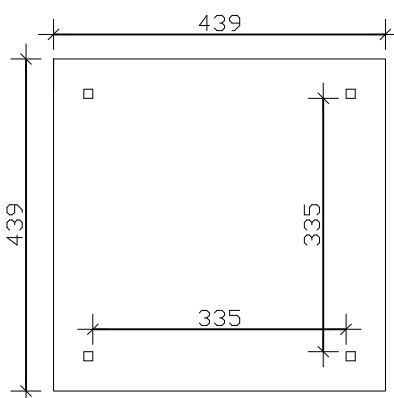
37176 1 (Size 2)



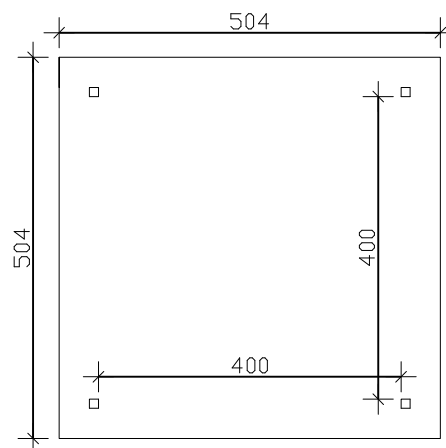
37177 8 (Size 3)



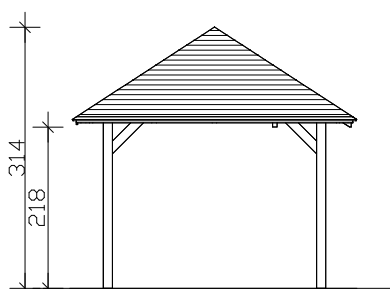
Groundplan



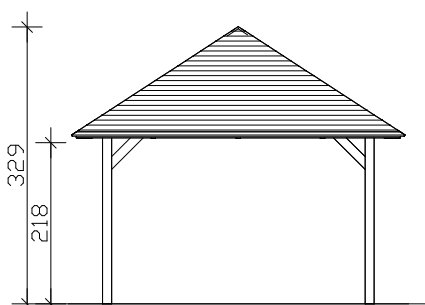
Groundplan



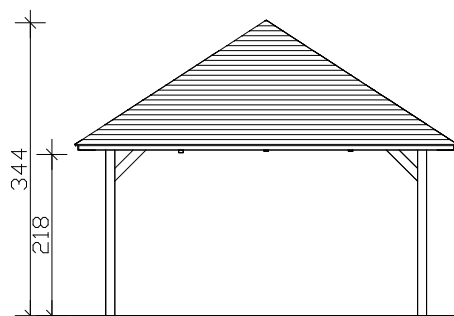
Groundplan



Front View



Front View



Front View

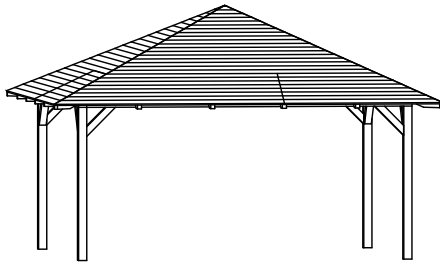
Scale 1:100

## "Cannes" Gazebos, Size 374cm / 439cm / 504cm

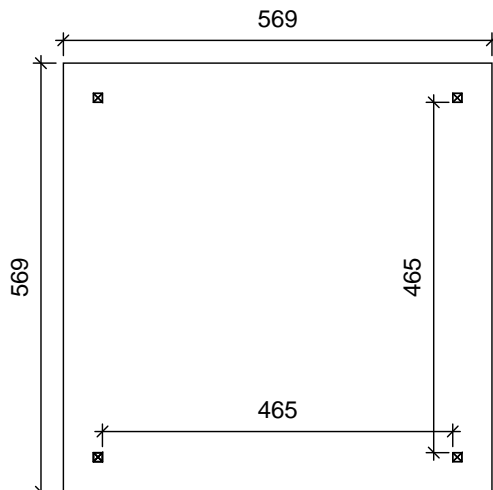
### Datasheet / Construction Description



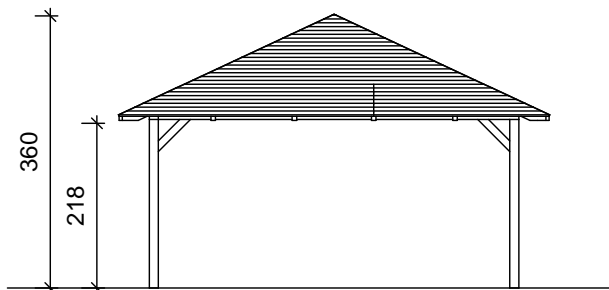
<b>Type of wood / iron parts</b>	<b>Glulam, untreated / galvanized</b>
<b>Posts</b>	<b>4 each 12x12x220cm</b>
<b>Roofing</b>	<b>roofing boards (without bitumen shingles)</b>
<b>Snow load</b>	<b>sk = 3,00kN/m<sup>2</sup> / sk = 2,25kN/m<sup>2</sup> / sk = 1,75kN/m<sup>2</sup></b>
<b>Clearance width</b>	<b>270cm / 335cm / 400cm</b>
<b>Total height (clearance)</b>	<b>314cm (218cm) / 329cm (218cm) / 344cm (218cm)</b>
<b>Square measure (solid ...)</b>	<b>13,99m<sup>2</sup> (37,21m<sup>3</sup>) / 19,27m<sup>2</sup> (52,71m<sup>3</sup>) / 25,40m<sup>2</sup> (71,38m<sup>3</sup>)</b>
<b>Roof pitch / -overhang</b>	<b>25° / all round 40cm</b>
<b>Roofage</b>	<b>15,48m<sup>2</sup> / 21,34m<sup>2</sup> / 28,12m<sup>2</sup></b>
<b>Packaging dimensions</b>	<b>W x L x H 118 x 375-500 x 55-65cm / weight 440-750kg</b>
<b>Including</b>	<b>Mounting hardware, post ancors assembly instructions</b>



4018211 371785



Groundplan



Front View

Scale 1:100

## "Cannes" 4 Gazebos, Size 569cm Datasheet / Construction Description



Type of wood / iron parts	Glulam, untreated / galvanized
Posts	4 each 12x12x220cm
Roofing	roofing boards (without bitumen shingles)
Snow load	sk= 1.50kN/m <sup>2</sup>
Clearance width	465cm
Total height (clearance)	360cm (218cm)
Square measure (solid...)	32.38m <sup>2</sup> (93.57m <sup>3</sup> )
Roof pitch / -overhang	25° / all round 40cm
Roofage	35.85m <sup>2</sup>
Packaging dimensions	W x L x H 118 x 490 x 80cm / weight 1000kg
Including	Mounting hardware, post ancors Assembly instruction